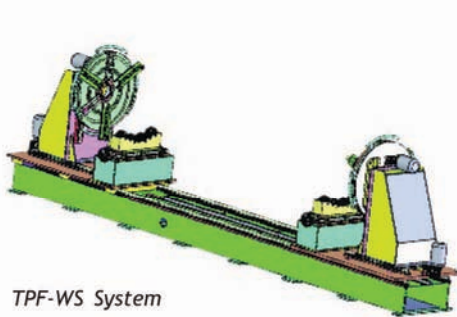
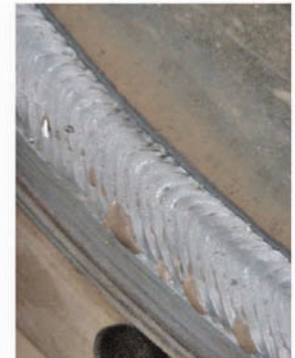
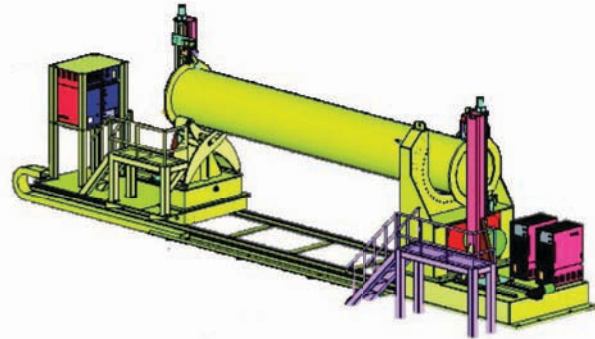


TPF-WS SYSTEM

TUBE AND PIPE FLANGE WELDING SYSTEM



TPF-WS System



FEATURES & TECHNICAL SPECIFICATIONS

- Commonly used for ship tube and flange welding
- Automatic self-checking tube and flange assembly
- Up to four torches for simultaneous or separate tube/flange welds
- Reliable mechanism structure designed to minimize tube/flange deviation
- Suitable for shipbuilding, chemical, nuclear plants and other prefab industries

TPF-WS System

Wall Thickness mm (inches)	Tube: 3.5 - 28mm	Tube: .138" - 1.1"
	Flange: 5 - 80mm	Flange: .196 - 3.15"
Workpiece Length mm (inches)	48-219, 1000-6000mm	(1.89"-8.62", 40"-236")
	60- 480, 1000-9000mm	(2.36"-18.9", 40"-354")
	219-914, 1000-12000mm	(8.62"-36", 40"-472")
Max. Capacity Diameter mm (inches) kg (lbs)	48-168mm, 1000kg	1.89"-6.61", 2200lbs
	60-480mm, 3000kg	2.36"-18.9", 6600lbs
	219-914mm, 5000kg	8.62"-36", 11000lbs